



Broadcasting



- Bluetooth 4.0 and above
- Android 4.3 and above
- iOS 5 and above



# FJ5 *IP66*

## Waterproof Crane Scale

# FJ5 *IP66*

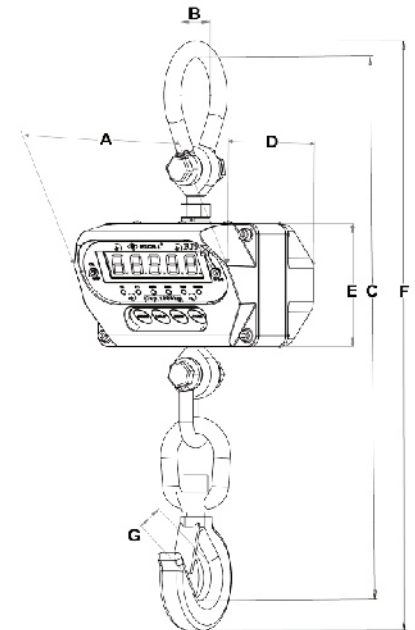
## Waterproof Crane Scale

### Features:

- Meet the IK10 impact resistance rating and IP66 waterproof rating.
- 360° rotatable crane hook design for better stability, safety, and accuracy (for 1T~3T models only)
- Use high brightness LED for easy reading
- Auto-zero tracking, quick zeroing speed to fully improve stability and efficiency
- Selectable 2 units from kilograms(kg), pound(lb), and ton(t)
- Manual/auto/peak weight hold function and set point control function
- Protected circuit design to avoid battery damage
- Easy to replace rechargeable battery without disassembling the scale
- Rugged aluminum alloy construction
- Ultimate Safety Factor: up to 600% for 1T~5T; 400% for 7.5T~15T

### Benefit

- Low standby power consumption 1 mA
- Long operating distance about 70m
- Wireless connection with PC, mobile devices, smart phone or tablet
- Broadcasting capability to large LED display



\*Above structure for 1~3T models



360° rotatable crane hook for 1T~3T model only



Rugged Alloy housing



Adjustable sun visor

### Specifications:

MODEL	CAPACITY	DIVISION	RESOLUTION
FJ5-1t	1t	0.5kg	1/2,000
FJ5-1.5t	1.5t	0.5kg	1/3,000
FJ5-2t	2t	1kg	1/2,000
FJ5-3t	3t	1kg	1/3,000
FJ5-5t	5t	2kg	1/2,500
FJ5-7.5t	7.5t	2kg	1/3,750
FJ5-10t	10t	5kg	1/2,000
FJ5-15t	15t	5kg	1/3,000

### Option

- Wireless remote display/control (Pending for EC type approval)
- Suncover

### Dimensions:

	Nonapproval					Approval				
	1t~3t	5t	7.5t	10t	15t	1t~3t	5t	7.5t	10t	15t
A	210	210	210	210	210	210	210	-	-	-
B	87	74	74	98	98	87	74	-	-	-
C	615	542	542	670	770	615	542	-	-	-
D	218	278	278	278	278	218	278	-	-	-
E	141	141	141	141	141	141	141	-	-	-
F	665	620	650	770	885	665	620	-	-	-
G	51	64	64	83	108	51	64	-	-	-

**Operating Temperature:** -10° C ~ 40° C ( 14 °F ~ 104°F )

**Power Source:** AC 110V / 230V ( ± 10% ) + DC 6V / 10AH rechargeable battery

**Display:** LED, 5 digits, height 25.4 mm



### EXCELL PRECISION CO., LTD.

6F, No.127, Lane 235, Pao-Chiao Road, Hsin Tien, New Taipei City, 231, Taiwan  
 Tel: +886-2-89191000 Website: www.excell-scale.com  
 Fax: +886-2-89191177 E-mail: sales@excell-scale.com